

FIREPRO

FIRE PROTECTIVE BUILDING PRODUCTS

HEAD OFFICE: AUCKLAND (09) 579 0367
CHRISTCHURCH (03) 379 9364
www.firepro.co.nz sales@firepro.co.nz

Product specifications can change. Contact us to ensure you have our latest datasheet

FIREPRO FF102/50

The FF102/50 Ventilated Fire Barrier is a high expansion intumescent seal offering industry leading performance as a ventilated cavity fire barrier. The product has undergone extensive fire testing and is suitable for use within the majority of construction types, enabling the versatile system to be specified with confidence and provide the installer with a simple, time saving and site friendly solution.

Product Description

The FF102/50 Ventilated Fire Barrier is a rigid, high expansion intumescent strip encased in aluminium foil. The FF102/50 can be mechanically fixed both horizontally and vertically within ventilated cavities behind rainscreen or cladding systems to act as a cavity fire barrier.

Product Dimensions

6.0 mm x 75 mm x 1000 mm

Max. Cavity

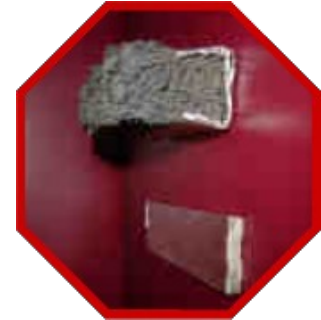
50mm

For cavity widths up to 25mm use FF102/25

Approved Applications

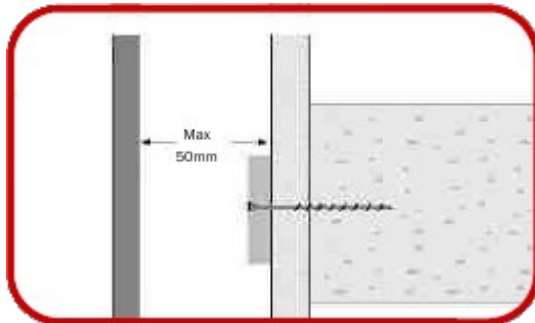
The FF102/50 Ventilated Fire Barrier has been independently fire tested and assessed by Chiltern International Fire for the applications below, for more specific details please contact FIREPRO.

Fire tested to BS476 Parts 20 & 22 for Fire Integrity.



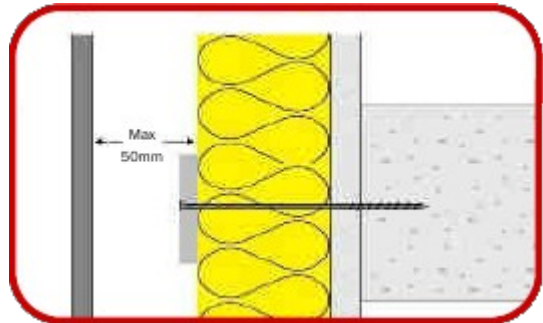
FF102 Ventilated Fire Barrier Before & After Exposure to Fire

FF102/50 Fixed to Non-Combustible Constructions



VFB Ref.	Assessed Construction Type	Fire Rating Horizontal	Fire Rating Vertical
FF102/50	Brick, Block, Masonry	120	120
FF102/50	Aerated Concrete Block	120	120

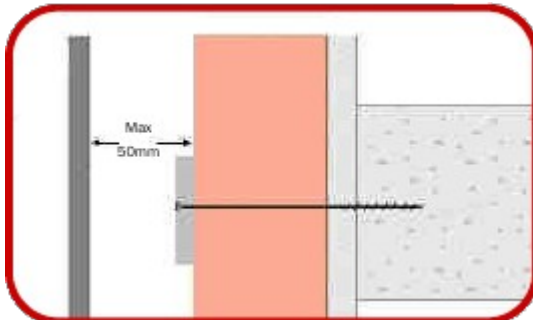
FF102/50 Fixed onto Mineral Fibre Insulation



VFB Ref.	Assessed Construction Type	Fire Rating Horizontal	Fire Rating Vertical
FF102/50	Min. Fibre on Concrete	90	90
FF102/50	Min. Fibre on Timber Frame	30	60

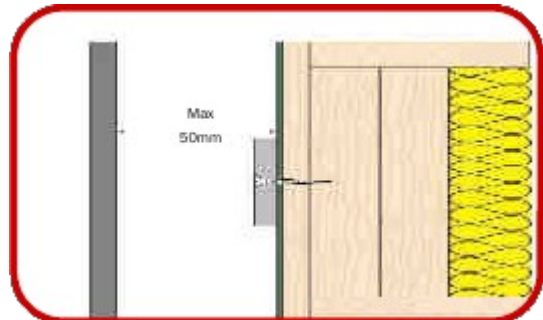
For details on approved Mineral Fibre Insulation types please consult FIREPRO

FF102/50 Fixed to Kingspan K15 Rigid Insulation



VFB Ref.	Assessed Construction Type	Fire Rating Horizontal	Fire Rating Vertical
FF102/50	Kingspan K15 on Concrete	120	120
FF102/50	Kingspan K15 on Timber	30	60

FF102/50 Fixed to Combustible Timber Constructions



VFB Ref.	Assessed Construction Type	Fire Rating Horizontal	Fire Rating Vertical
FF102/50	Timber Frame	30	60

Cavities greater than 50mm can be reduced to 50mm by the installation of a suitable OSB, Timber or Non-Combustible packer (consult FIREPRO for details)

NOTE: The technical information and suggestions for use and application presented herein represent the best information available to us and are believed to be reliable. If used beyond the situations detailed on this datasheet we advise confirming their suitability before installation. All dimensions are nominal.

We reserve the right to make changes or to withdraw designs and products without notice.

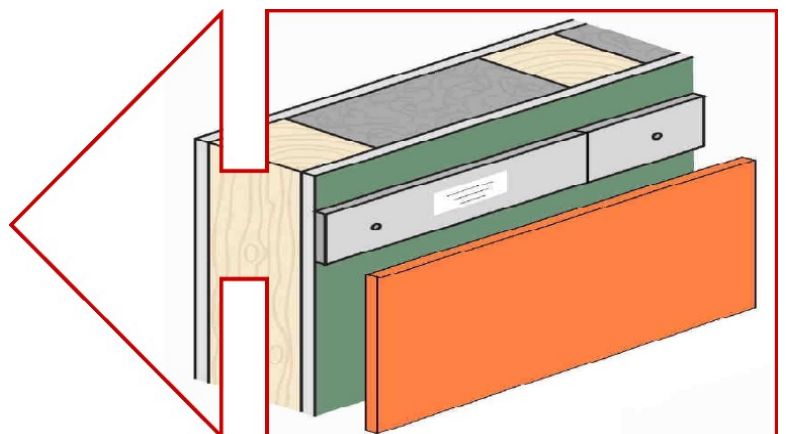
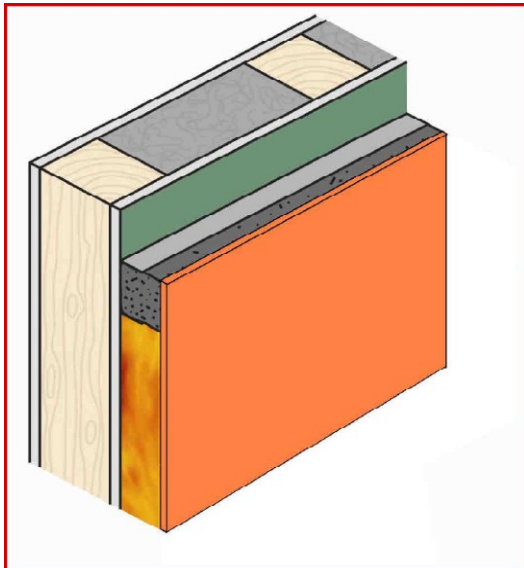
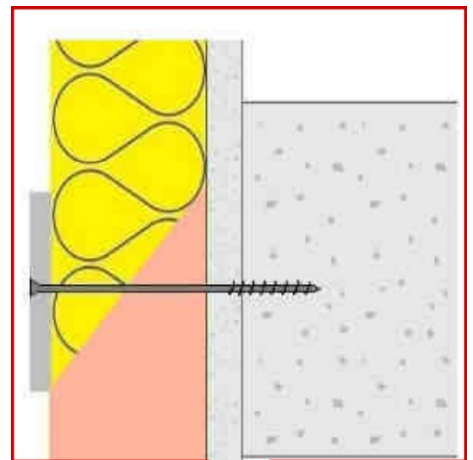
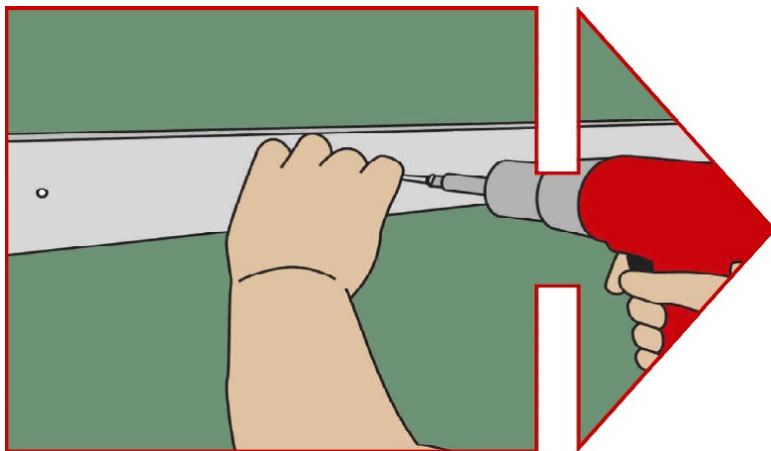
FIREPRO FF102/50

FITTING INSTRUCTIONS

The FF102/50 is a particularly versatile Ventilated Fire Barrier which can be installed in a wide range of types. The product is simply mechanically fixed in position to leave up to a maximum 44mm air gap.

Fix FF102/50 with non-combustible nails or screws
Maximum Screw Head Diameter is 11.5mm (Trumpet / Countersunk type head only)
Product must be fixed at maximum 250mm centres

When fixing FF102/50 through Mineral Fibre or Kingspan K15 Insulation, ensure fixing embeds into solid substrate.
Recommended Fixing Type:
EJOT FPS-E 8.0 for aerated block
EJOT FBS-E 6.3 for concrete
Contact TENMAT for specific fixing details



Maximum remaining air gap to the back of the cladding panel is 44mm
Ensure Fire Barrier free to expand in a fire situation

Fixings must be along centre line of the Fire Barrier
Ensure label side is facing out into cavity
Adjacent lengths can be tightly butted

NOTE: The technical information and suggestions for use and application presented herein represent the best information available to us and are believed to be reliable. If used beyond the situations detailed on this datasheet we advise confirming their suitability before installation. All dimensions are nominal.

We reserve the right to make changes or to withdraw designs and products without notice.