

FIREPRO

FIRE PROTECTIVE BUILDING PRODUCTS

HEAD OFFICE: AUCKLAND (09) 579 0367
CHRISTCHURCH (03) 379 9364

www.firepro.co.nz sales@firepro.co.nz

CI/SfB
B315 DATASHEET – Mar 14

Product specifications can change. Contact us to ensure you have our latest datasheet

CAST IN FIRE COLLARS

B315-LC/HC - 4Hr FRL 40mm - 100mm

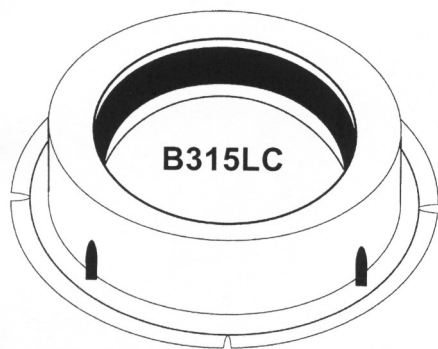
B315-LC - 2Hr FRL 150mm

DESCRIPTION

Firepro B315 cast-in fire collars prevent the spread of fire where PVC and PE plumbing pipes penetrate concrete floors. These collars are used in situations where a collar is put into place before the concrete is poured.

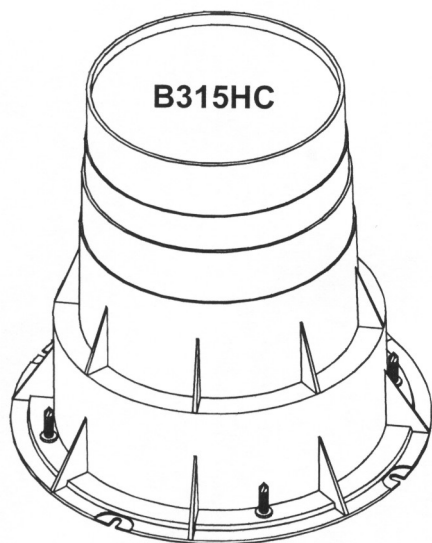
Two styles are available either as a compact cast-in collar (B315LC) or with a high riser (B315HC).

Unlike intumescent assisted mechanical damper type fire collars, Firepro B315 contain no fusible links or moving parts to require servicing. Firepro B315 are typically used in situations where compliance with Section 4.6.1 of AS 4072.1 is required. If compliance with Section 4.6.2 is appropriate, see our B318 datasheet.



B315LC ADVANTAGES

- Suitable for PVC and PE plumbing pipes.
- Pipe joints can be accommodated within the diameter of the collar.
- Sizes up to and including 100mm provide 4 hour FRL, for up to 100mm internal diameter pipes and the 150mm collar 2 hour FRL (B315LC).
- Full range of sizes 40mm to 150mm.
- Compact size for easy freighting and site handling.
- Pipe held straight during concrete pour.



B315HC ADVANTAGES

- Suitable for PVC and PE plumbing pipes.
- Pipe joints can be accommodated.
- Integral smoke seal.
- Only two sizes of collar to stock for pipes 40mm to 100mm I.D.
- Cap included.
- Up to 4 hour FRL.
- Pipes installed after concrete floor poured.

OTHER FIREPRO PRODUCTS

Firepro manufacture a wide range of Fire Wraps and Collars to cover other situations, and offers a full range of passive fire protection products.

NOTE: The technical information and suggestions for use and application presented herein represent the best information available to us and are believed to be reliable. If used beyond the situations detailed on this datasheet we advise confirming their suitability before installation. All dimensions are nominal.

We reserve the right to make changes or to withdraw designs and products without notice.

INSTALLATION

Firepro B315 collars are fixed to the formwork prior to pouring concrete slabs. Nails are applied through the slots in the base plate to ensure that the collar is held firmly and flat. Do not remove the concrete gripper screws attached to collar. Ensure cap is on top of B315HC before concrete pouring commences.

B315LC

A short length of pipe is inserted into the collar for later connection to services. Alternatively a temporary reusable short length of pipe may be used. Exposed pipe ends may be left open or closed with tape or a reusable cap. The bottom plastic guide is disposable once the formwork is removed allowing a pipe joint to be fitted inside or below the collar.

B315HC

The plumbing pipes are inserted into the collar after the concrete floor is in place. There is space in the collar for a pipe joint, if required. No backfilling of the top of the collar is required to achieve fire rating. However, we recommend that best trade practice with any brand of Tower/high cast style collar is to backfill or seal the gap between the collar and the pipe. This maximises hygiene, waterproofing and acoustic protection. When the floor has been poured and formwork removed pipes are inserted. Joints in pipes may be either below or inside the collar.

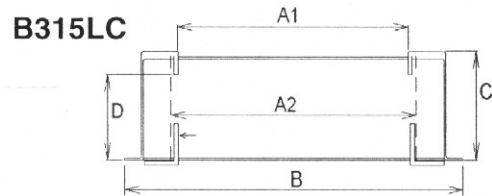
FIRE TESTS & APPROVALS

Firepro B315 Fire Collars have been fire-tested in floors in the conventional manner with 2M uncapped uPVC pipe extending from the test furnace for maximum fire severity in accordance with AS1530:4, AS4072:1 Section 3 and complying with AS4072.1 – 2005 Section 4.6.1.

Also fire-tested in accordance with BS476:20-22 fire laboratory assessed and approved for use also with PE (Polyethylene) pressure pipes in accordance with AS4130.

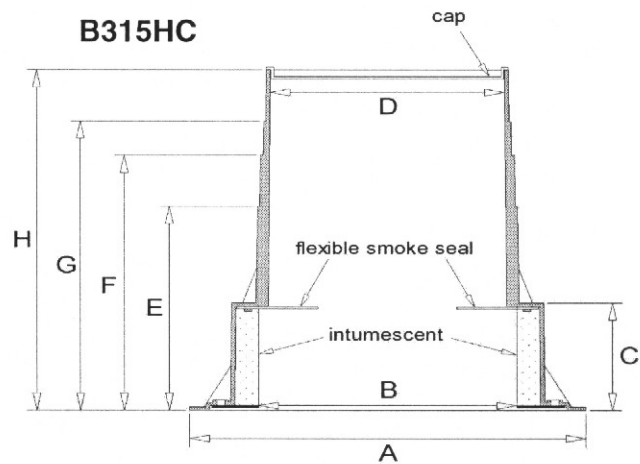
The 150mm internal diameter pipe size collar offers up to 2 hours fire resistance (-/120/120) in concrete floors of the appropriate fire rating.

The 40mm, 50mm, 65mm, 80mm and 100mm internal diameter pipe size collars offer up to 4 hours fire resistance (-/240/240) in floors of the appropriate fire rating.



Dimensions in millimetres (nominal):

	A1	A2	B	C	D
B315LC-40	45	59	131	40	35
B315LC-50	59	72	140	40	35
B315LC-65	72	85	156	40	35
B315LC-80	83	99	171	45	40
B315LC-100	110	126	199	65	60
B315LC-150	161	177	247	65	60



Dimensions in millimetres (nominal):

	A	B	C	D	E	F	G	H
B315-HC50	149	72.5	45	60	120	150	170	200
B315-HC100	203	127	63	120	120	150	170	200