

CENTABUILD

BUILDING PRODUCTS

HEAD OFFICE: AUCKLAND (09) 579 0367
CHRISTCHURCH (03) 379 9364

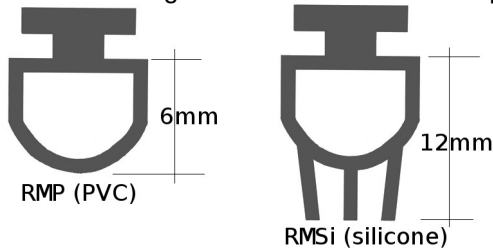
www.centabuild.co.nz sales@centabuild.co.nz

Product specifications can change. Contact us to ensure you have our latest datasheet

RM SERIES AUTOMATIC DOOR BOTTOM SEAL MORTICED

When door opens sealing gasket lifts clear of floor automatically. Used on single action doors. Fully mortised installation.

- PVC or Silicone Bulb Seal.
- Suits NZ & Australian Door Sizes.
- Simple Reliable Mechanism.
- Tested to 1,000,000 opening and closing cycles.
- Under Door Gap 3mm to 12mm for RMP.
- Under Door Gap 6mm to 15mm for RMSi.
- Length can easily be cut to suit uncommon size doors.
- Rectangular or rounded end cover plates available.



PVC and SILICONE Seals both provide an effective barrier to weather, cold smoke, drafts, dust, and noise & smell. Due to its higher temperature melting point Silicone is deemed to comply for use as a medium smoke seal for temperatures up to 200°C.

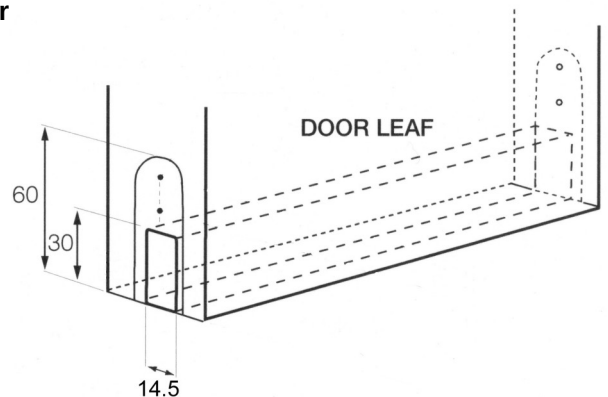
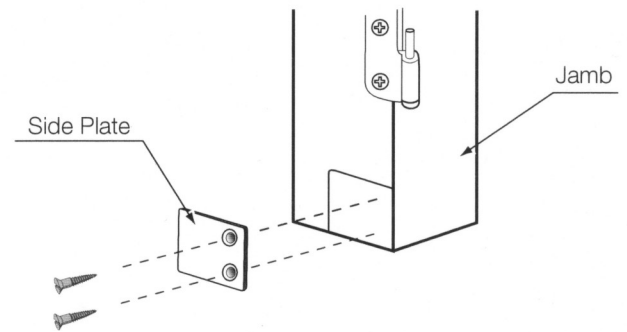
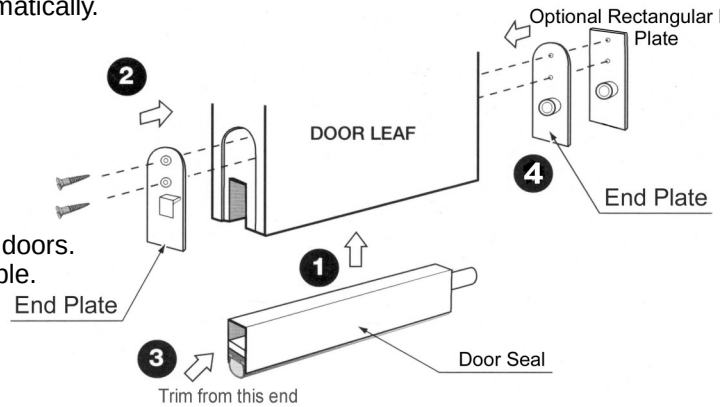
Product Codes

RM Seal with PVC Bulb	RM Seal with Silicone Bulb	Widths up to	For Door
RMP-380	RMSi-380	380mm	380mm
RMP-450	RMSi-450	450mm	450mm
RMP-600	RMSi-600	600mm	600mm
RMP-810	RMSi-810	810mm	810mm
RMP-820	RMSi-820	820mm	820mm
RMP-860	RMSi-860	860mm	860mm
RMP-910	RMSi-910	910mm	910mm
RMP-920	RMSi-920	920mm	920mm
RMP-970	RMSi-970	970mm	970mm
RMP-1070	RMSi-1070	1070mm	1070mm
RMP-1220	RMSi-1220	1220mm	1220mm

Special length seals can be manufactured from 380mm up to a maximum of 1335mm. NOTE: Minimum order for specials, 20 lengths.

Installation

- 1 Router a 14.5mm wide x 30mm deep rebate in bottom of door.
- 2 Rebate end plates on edge of door and fit side plate to door jamb.
- 3 Trim Door Seal from end that does not have nylon Push Rod, to required length, to suit door size.
RM Seals in sizes 650mm to 920mm may be trimmed back to 650mm.
RM Seals in sizes 1070mm to 1335mm may be trimmed back to 950mm. Do not trim back sizes under 650mm
- 4 Fit Door Seal into bottom of door, fit end caps and screw into place.
- 5 Adjust push-rod/activator with screwdriver for correct clearance.



NOTE: The technical information and suggestions for use and application presented herein represent the best information available to us and are believed to be reliable. If used beyond the situations detailed on this datasheet we advise confirming their suitability before installation. All dimensions are nominal.

We reserve the right to make changes or to withdraw designs and products without notice.