

# FIREPRO CENTABUILD

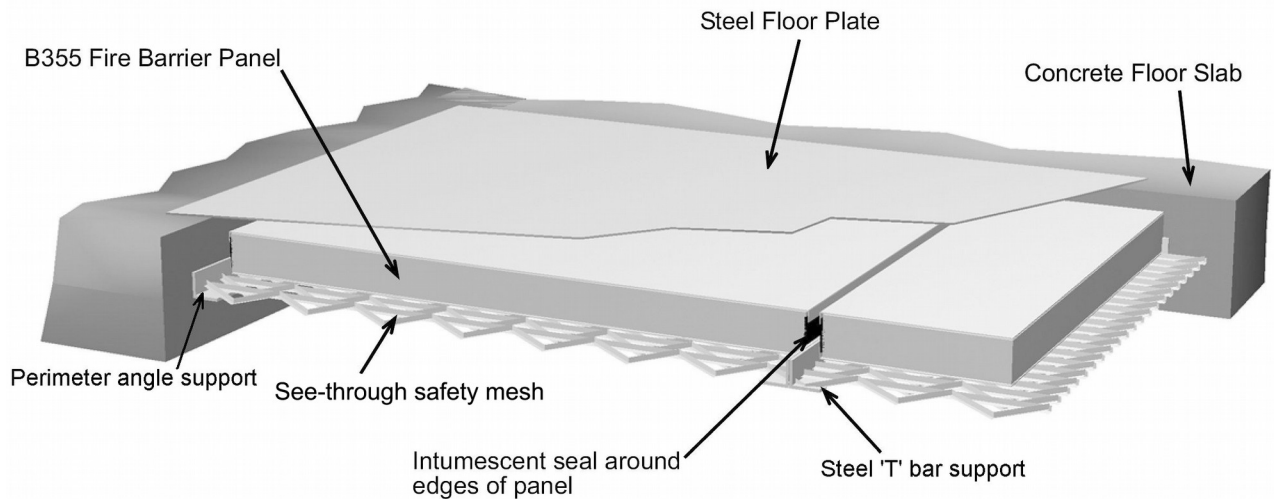
HEAD OFFICE: AUCKLAND (09) 579 0367  
CHRISTCHURCH (03) 379 9364

[www.firepro.co.nz](http://www.firepro.co.nz) [sales@firepro.co.nz](mailto:sales@firepro.co.nz)

C/SfB  
B355 DATASHEET – Dec 14

Product specifications  
can change. Contact  
us to ensure you have  
our latest datasheet

## FIREPRO B355 LARGE FIRE HATCH FOR FLOORS



- . Fire Rating up to -/120/120 (2 hour FRL)
- . Simple and Fast to Install
- . 6 Stock sizes
- . Access to spaces up to maximum width 1400mm and any length
- . Safety Chain, Mesh, Floor Plate and Signs included

The Firepro B355 Floor Fire Hatch is designed for situations where a very large access space is required from above a fire compartment. B355 is designed for use in concrete floors.

The Firepro B355 Floor Fire Hatch includes steel floor plates that support foot traffic up to 5MPa. Below the steel floor are fire barrier panels that rest on see-through steel mesh.

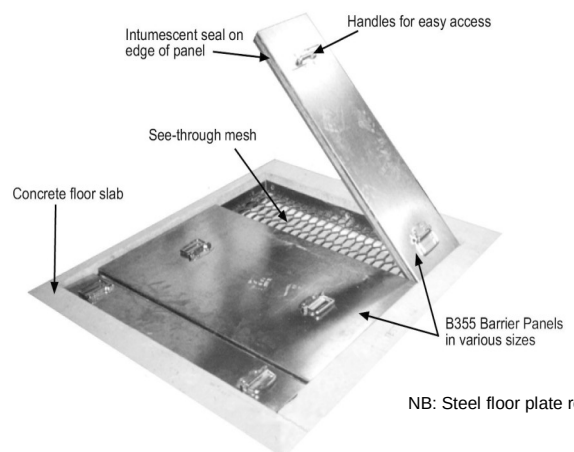
The fire barrier panels have handles for easy removal when required. The mesh enables clear vision of the hole below and prevents panels falling down the hole until the mesh is removed. The mesh is secured to prevent it falling.

B355 Fire Hatches are supplied as a kitset ready to install. Kitsets are complete with warning signs and fixings.

### CONCRETE FLOOR

Minimum concrete thickness required is 120mm plus an additional 8mm if steel floor plates to be flush with floor surface. The floor surface must be level. The hole must be a dimensionally accurate rectangle.

**APPLICATION:** Installation of B355 is simple for tradesmen able to follow printed instructions and competent in applying dynabolts and screws into concrete floors. Two persons are normally required. The builder must leave a space in the floor equal to the clear opening space required plus 102mm to 105mm. A cut out area may also need to be left for the steel floor plates., i.e. if they are to be inset. See installation instructions in this brochure and details of standard hatch sizes overleaf.



*NOTE: The technical information and suggestions for use and application presented herein represent the best information available to us and are believed to be reliable. If used beyond the situations detailed on this datasheet we advise confirming their suitability before installation. All dimensions are nominal.*

**We reserve the right to make changes or to withdraw designs and products without notice.**

### FIRE RESISTANCE RATING

The Firepro B355 Floor Fire Hatch has been fire tested and assessed to AS1530.4 (1997) and BS476 Part 20 for up to 120 minutes integrity and insulation in a 120mm thick concrete floor.  
B355 -120, 120 mins integrity 120 minutes insulation -/120/120.  
B355 -60, 120 mins integrity 60 minutes insulation -/120/60.

In Australia all stock panels are model B355-120 which is the most common Australian requirement. In New Zealand both models are available.

### SIZE RANGE & CLEAR OPENING SPACE

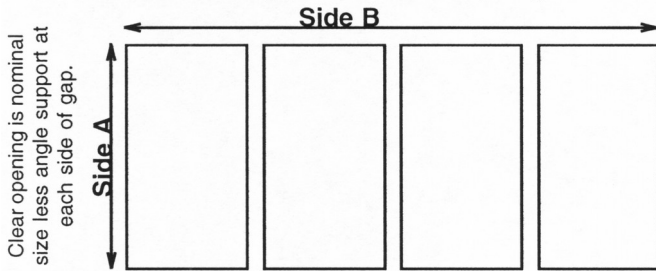
B355 Fire Hatch Panels are manufactured in the following sizes:

**Table 1**

Nominal Panel Size	Clear Opening Single Panel	Clear Opening Additional Panel
1500 x 600	1400 x 500	1400 x 600
1500 x 800	1400 x 700	1400 x 800
1500 x 1000	1400 x 900	1400 x 1000
1200 x 600	1100 x 500	1100 x 600
1200 x 800	1100 x 700	1100 x 800
1200 x 1000	1100 x 900	1100 x 1000

Fire Barrier panels rest on a 50mm x 50mm steel angle fixed around the perimeter of the hole in the floor. The clear opening space is therefore the nominal size less 100mm in each direction. Multiple panels rest on a removable 'T' bar supports between panels. Therefore when multiple panels are used the coverage clear space is increased.

Multiple panels to obtain opening length required in 200mm increments with a minimum of 600mm per panel. Deduct angle support of 50mm at each end of gap to calculate clear opening.



LIST OF COMPONENTS (1)	Kitset 1	Kitset 2
Note: Side (B) angle support below for kitset 2 are extra long to cover requirements of both kitset 1 and kitset 2.	For the sole or first fire barrier panel	For the second & subsequent fire barrier panels
Fire barrier panel	Ü	Ü
Steel mesh sub floor	Ü	Ü
Steel angle support - 2 for side A	Ü	-
Steel angle support - 2 for side B	Ü	Ü
'T' section support	-	Ü
Dynabolts for attaching angle to floor	Ü	Ü
Safety chains and signs	Ü	Ü
8mm steel floor plates	Ü	Ü
Wall sign	Ü	-

### Note:

- (1) For surface mounted floor plates FS-TR8 anti-trip edging is required in addition to the kitset.
- (2) Plate removal tools are additional to the kitsets. A minimum of 2 are required on site.

### STEEL FLOOR PLATES

Steel floor plates for light foot traffic up to 5MPa are supplied as part of the kitset. Two or more plates are required.

They are supplied complete with fixing screws.

Maximum weight of a single plate is 70kg.

Normally the steel is 8mm thick checkerplate, but smooth plates may be ordered. In some small hatches 6mm thick steel plate is used.

Each plate has 2 holes for inserting the floor plate removal tool and corner holes for attaching the plate to the concrete floor. Two removal tools are required to drag the steel plates from their position above the fire panels and to replace them.

The steel floor plates are simplest to install on top of the floor slab, in which case FS-TR8 anti-trip edging is required in addition to the standard kitset.

If the steel floor plate is to be inset into the floor, the concrete floor slab needs to be a minimum of 128mm thick and a 103mm wide x 8mm deep cut-out around all sides of the hatch opening to allow the steel plate to overlap all sides of the hole by 100mm.

### Specification and Product Codes

Specification-Install "Firepro Centabuild B355 Fire Hatch set out in manufacturers datasheet for FRL -/120/60 or FRL -120/120."

Fire Rating	Nominal Panel Size (mm)	Product Code Kit 1	Product Code Kit 2
FRL -/120/120 2 Hrs Integrity & Insulation	1500 x 1000	B355-120-1510kit1	B355-120-1510kit2
	1500 x 800	B355-120-1508kit1	B355-120-1508kit2
	1500 x 600	B355-120-1506kit1	B355-120-1506kit2
	1200 x 1000	B355-120-1210kit1	B355-120-1210kit2
	1200 x 800	B355-120-1208kit1	B355-120-1208kit2
	1200 x 600	B355-120-1206kit1	B355-120-1206kit2
FRL -/120-/60 2 Hrs Integrity & 1 Hr Insulation	1500 x 1000	B355-60-1510kit1	B355-60-1510kit2
	1500 x 800	B355-60-1508kit1	B355-60-1508kit2
	1500 x 600	B355-60-1506kit1	B355-60-1506kit2
	1200 x 1000	B355-60-1210kit1	B355-60-1210kit2
	1200 x 800	B355-60-1208kit1	B355-60-1208kit2
	1200 x 600	B355-60-1206kit1	B355-60-1206kit2

NOTE: The technical information and suggestions for use and application presented herein represent the best information available to us and are believed to be reliable. If used beyond the situations detailed on this datasheet we advise confirming their suitability before installation. All dimensions are nominal.

We reserve the right to make changes or to withdraw designs and products without notice.

# FIREPRO CENTABUILD

HEAD OFFICE: AUCKLAND (09) 579 0367

CHRISTCHURCH (03) 379 9364

[www.firepro.co.nz](http://www.firepro.co.nz) [sales@firepro.co.nz](mailto:sales@firepro.co.nz)

CI/SfB

B355 INSTALLATION SHEET – Dec 14

Page 3 of 3

Product specifications  
can change. Contact  
us to ensure you have  
our latest datasheet

## FIREPRO B355 LARGE FIRE HATCH FOR FLOORS

### INSTALLATION INSTRUCTIONS

#### Floor Opening

To calculate hole size requirement for hatch use multiples of 600mm, 800mm, and 1000mm for dimension "B" and 1500mm or 1200mm for dimension "A". Add an additional 2mm to 5mm clearance to overall opening size. Please ensure you have the latest datasheet for any changes to these sizes.

The floor surface must be level.

Minimum concrete floor depth required is 120mm.

Either cast hole, or cut hole in concrete slab. If the 8mm steel floor plate is to be installed flush with the floor, allow for this with a concrete block out 8mm deep and 103mm wide around all sides of the hole.

For flush fit minimum floor thickness is 128mm.

Inspect internal edges, top and underside of slab adjacent to installation. Concrete must be in sound condition and comply with the latest relevant standards. If the concrete has any defects which may compromise the fire rating of the slab, the structural integrity of the slab, or the fixing of the fire hatch, please consult your structural engineer.

#### Equipment Required

Safety Barriers

Work Platform

Hammer Drill

Hack Saw if installing FS-TR8

150mm Adjustable Spanner

Screw Drivers

Pliers

Other drill bits and tools may be required

#### Installing Hatch

Measure 20mm up from the lower surface of concrete slab and mark around inside of perimeter of opening. This locates the lower surface of the perimeter angle.

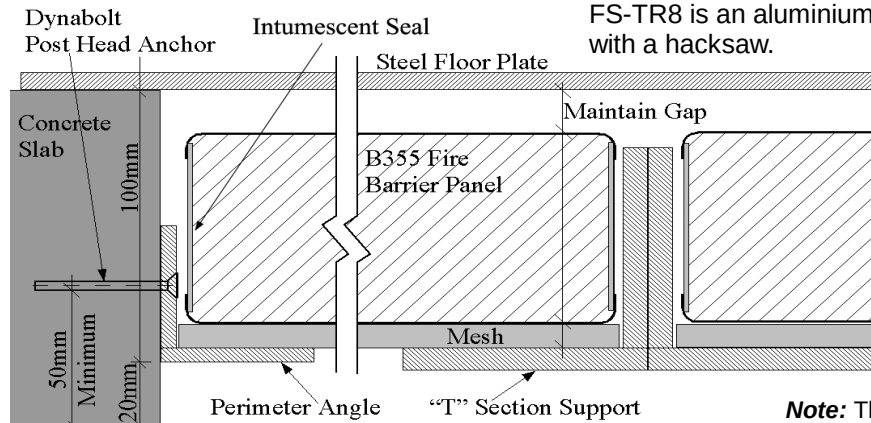
Mark off and cut to length 50mm x 50mm perimeter angle as required. At corners the angles to be 3mm short of meeting to leave room for heat expansion. When "T" section supports are required for multiple panel installations, ensure "T" support does not fall within 200mm of the join between angles. Ensure fixing holes are at 250mm centres maximum and within 100mm of each end of angle. You may need to drill additional holes to meet this requirement.

Use perimeter angles to mark off and then drill fixing holes.

Fix angles with Dynabolt Post Head Anchor DP08060F or equivalent.

Install "T" section supports with leg of "T" pointing upwards. Position mesh on angle ledges. Attach 2 wire loops and safety chains from mesh supports to perimeter angles with shackles. Attach "T" section to perimeter angle with chain and shackle. You may need to drill additional holes in the perimeter angles for this. Touch up any cut steel edges with primer.

Install fire barrier panels, handle side up, ensuring the panels sit neatly on top of the mesh. Drag steel floor plates into position using 2 plate removal tools and screw down. Check that fixing holes are a minimum of 50mm from the edge of the slab. Attach warning sign in an easily visible position, as close as practical to the hatch but not hidden by a door or equipment. Install threshold ramp FS-TR8 if steel floor plates are surface mounted. FS-TR8 is an aluminium extrusion which can be cut to fit with a hacksaw.



**Note:** This illustration is not drawn to scale.

*NOTE: The technical information and suggestions for use and application presented herein represent the best information available to us and are believed to be reliable. If used beyond the situations detailed on this datasheet we advise confirming their suitability before installation. All dimensions are nominal.*

**We reserve the right to make changes or to withdraw designs and products without notice.**